



First Choice  
for reliable power distribution



## Sentron 3VL

Moulded case circuit breaker

Answers for industry.

**SIEMENS**

## Typical applications

The different versions of 3VL MCCB are suitable for the following applications -

- Incoming and outgoing circuit breakers in power distribution applications.
- Switching and protection devices for motors, transformers, generators, capacitors, busbars and cables.



## First Choice for reliable power distribution

Siemens with SENTRON 3VL moulded case circuit breaker offers reliable solution for all power distribution applications.

3VL MCCBs are modular in design, user friendly in planning and operations. Also ensures safety to plant and personnel in order to achieve high efficiency and productivity.

### Highlights at a glance -

- Rated current from 16 to 1600A
- 3 Pole and 4 Pole
- Thermal Magnetic and Microprocessor based electronic trip units (ETUs)
- Communication capable ETUs
- No derating upto 50°C
- Current limiting
- Positive isolation
- Suitable for 90° offset mounting
- RCD module for residual current protection
- Mountings - Standard fixed / Plug-in / draw out
- Manual operation with rotary handle / Motorized operation
- Interlocking of MCCBs using Castell locks / Bowden wire / Walking beam
- Easy site fitment of internal accessories, RCD module, Motorised unit

## National / International standards and approvals

- IS 13947-1, IS 13947-2, IEC 60947-1, IEC 60947-2
- Ship building e.g. Lloyd's Register certificate, DNV certificate
- Special UL489 approved version **New** available
- 3VL MCCB also complies to RoHS (Restriction of Hazardous Substances)



## SENTRON 3VL MCCB : Maximum versatility with minimum expenditure

Sentron 3VL circuit breakers meet the high requirements of power distribution systems through their compact and modular design, excellent technical characteristics, easy and flexible operations.

### Advantages -

- **Cost saving** - Compact design helps to save panel cost.
- **Time saving** - 3VL offers quick installation by simple connection, Internal accessories fitment without special tool.
- **Ease of maintenance** - Plug-in / draw-out version and also modular design helps for easy and fast maintenance.
- **Easy Planning and assembly** - Modular design of 3VL MCCB offers different combinations for all power distribution applications. It also additionally offers integrated solutions by communication facility.
- 3VL MCCB is the **consistent solution** for future expansion / modernization due to modular design.
- **System Solutions** - With the ability to communicate over common protocols, the 3VL integrates with the broader system giving the advantage of system monitoring capabilities along with cost effective installations.
- **Integrated communication** concept for all ETUs with PROFIBUS / MODBUS
- **Global range** - Uniform design of 3VL MCCB helps to offer standard solution for various applications globally.

# SENTRON 3VL MCCB: Lower Costs. More Possibilities

The SENTRON 3VL MCCB is available in following versions -

## Line protection

3VL MCCB is suitable for protection of cables, busbar wirings, lines against overload and short circuit faults.

## Motor / generator protection

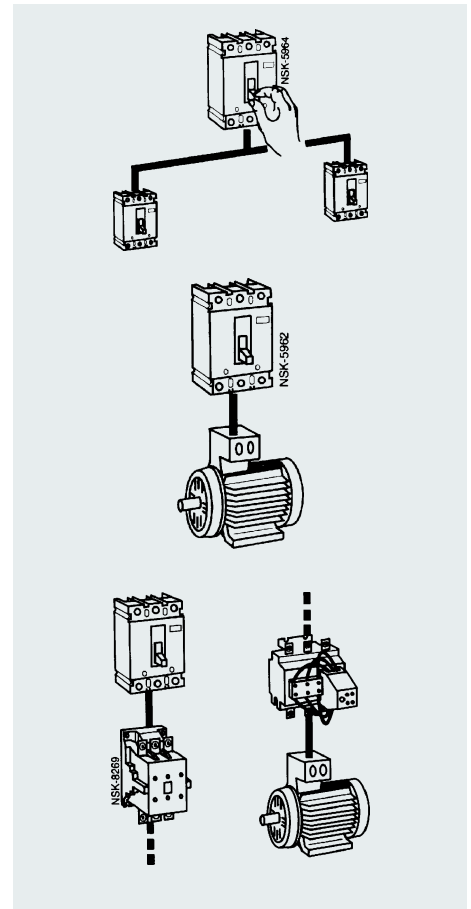
These 3VL MCCB releases are designed for optimal protection and the direct-starting of the squirrel-cage motors. Release is incorporated with phase loss sensitivity and a thermal memory which protect the motor against overheating. The selectable time lag class enables the user to select the overload release settings for the start-up conditions of the motor.

## Starter combination

MCCB is used for both short circuit protection as well as for isolating function, which may be required in starter combination consisting of MCCB, overload relay and contactors. This MCCB is with adjustable instantaneous short circuit setting.

## Non-automatic circuit breaker

These 3VL MCCBs are used as incoming circuit breakers, main switches or disconnectors without overload protection. These MCCBs are with fixed short-circuit releases so back-up fuses are not needed.



## DC switching and protection

The VL160X to VL630 circuit breakers (for system protection with TM, for starter combinations, non-automatic air circuit breakers) can also be used for DC switching and protection applications.

As the current has to flow through all of the conducting paths, the following connections are recommended in order to satisfy the thermal tripping characteristics.

Recommended connection/Maximum permitted DC voltage $U_e$		Remarks
Circuit A	Circuit B <sup>1)</sup>	
For 3- and 4-pole circuit breakers <sup>2)3)</sup>		
250 V DC <sup>4)</sup>  NSE0_00741a	500V DC <sup>4)</sup>  NSE0_01537	2-pole switching (non-grounded system) If there is no possibility of a ground fault, or if every ground fault is rectified immediately (ground-fault monitoring), then the maximum permitted DC voltage is 600 V for both circuits.
500 V DC  NSE0_00742a	600 V DC  NSE0_01538	2-pole switching (grounded system) The grounded pole is always assigned to the individual conducting path, so that there are always 2 conducting paths in series in the event of a ground fault in circuit A and 3 conducting paths in series in the event of a ground fault in circuit B.
600 V DC  NSE0_00743a	600 V DC  NSE0_00744a	1-pole switching (grounded system) The grounded pole is assigned to the unconnected conducting path.

1) Circuit B: A current reduction to 75 % is necessary with 4 conducting paths. The characteristic curve is also shifted by the greater temperature rise.

2) VL160X on request.

3) 4th pole (N) without overload and short-circuit releases, or 4th pole (N=100 %).

4) With a non-grounded system, all poles must be disconnected.



# Automatic transfer switch equipment (ATSE) for continuous power supply

Electrical Power is a life-line of any Industry. Key to economic success is a continuous availability of power. To ensure continuous supply of power we offer comprehensive solution with Automatic transfer switch equipment (ATSE).



## Highlights

- Simple solution of an automatic system transfer to ensure continuous power supply in case of a power failure
- Cost-effective control unit by using standard products
- Expandable and flexible due to the use of logic module for controlling and monitoring the automatic transfer operation
- Easy handling with the help of text display
- Fulfills high demand of load transfer switch
- Clearly reduces overhead and time without using service engineers
- Optimum power management by the option of power shedding when switching to emergency power supply

For more information on ATSE solution please contact our sales office.

## ETUs with superior features

The high-quality SENTRON 3VL microprocessor based ETUs comes with following features :

- No auxiliary voltage is needed for release system
- All ETUs have a thermal memory
- A flashing green LED indicates correct operation of the microprocessor
- Integrated self-test function
- Socket for tester
- Overload status is indicated by a permanently lit yellow LED (alarm)



Thermal Magnetic trip unit






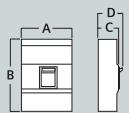
Microprocessor based ETU



Microprocessor based ETU with LCD display

Trip unit	Function type	Setting options				
		Adj. overload protection	Short circuit protection		Adj. ground fault protection	Adj. N-conductor protection
			(Short time delayed)	(Instantaneous)		
L $I_r = x I_n$	S $I_{sd} = x I_r$	I $I_{li} = x I_n$	G $I_g = x I_n$	N $I_N = x I_r$		
M	I	–	–	✓	–	–
TM	LI/LIN	✓	–	✓	–	–
ETU10	LI/LIN	✓	–	✓	–	✓
ETU12	LIG/LING	✓	–	✓	✓	✓
ETU20	LSI/LSIN	✓	✓	✓	–	✓
ETU22	LSIG/LSING	✓	✓	✓	✓	✓
LCD ETU42	LSIG/LSING	✓	✓	✓	✓	✓

# Technical Overview

								
Type		VL160X		VL160 / VL250		VL400		
<b>Electrical Characteristics as per IS 13947-2, IEC 60 947-2 and EN 60 947-2</b>								
Max Rated Current $I_n$ at 50°C ambient temperature,	A	160		160/250		400		
Number of Poles <sup>1)</sup>		3	4	3	4	3	4	
Rated operational Voltage $U_e$	AC 50/60 Hz	690		690		690		
	DC <sup>2)</sup>	500	500	600	600	600	600	
Rated insulation voltage $U_i$	V	800		800		800		
Rated impulse withstand voltage $U_{imp}$	Main conducting paths	8		8		8		
	Auxiliary Circuits	4		4		4		
Switching capacity $I_{cu}/I_{cs}$ at 415 V AC	Standard	55/55		55/55		55/55		
	High	70/70		70/70		70/70		
	Very High	100/75		100/75		100/75		
Switching capacity upto 600 V DC (3 paths in series)	Standard (upto 250 V DC)	30kA		32kA		32kA		
	High (upto 500 V DC)	30kA		32kA		32kA		
	Very High (upto 600 V DC)	—		32kA		32kA		
Suitable for isolation		✓		✓		✓		
Mechanical endurance	operating cycles	20000		20000		20000		
Max. switching frequency	1/h	120		120		120		
<b>Overcurrent Release</b>								
Thermomagnetic trip unit	TM	✓		✓		✓		
Microprocessor based electronic trip unit	ETU	—		✓		✓		
PROFIBUS / MODBUS module	COM 20/21 <sup>3)</sup>	—		✓		✓		
	COM 10/11 <sup>4)</sup>	—		✓		✓		
SIMOCODE		✓		✓		✓		
Microprocessor based electronic trip unit		—		✓		✓		
Residual current device	RCD*	✓		✓		✓		
<b>Internal Accessories</b>								
Undervoltage release		✓		✓		✓		
Shunt release		✓		✓		✓		
Auxiliary switch		✓		✓		✓		
Alarm switch		✓		✓		✓		
<b>External Accessories</b>								
Rotary drive, extended		✓		✓		✓		
Special drive, direct		✓		✓		✓		
Motorised drive		✓		✓		✓		
Plug-in		✓		✓		✓		
Drawout		—		✓		✓		
<b>Dimensions (in mm)</b>								
	A	105	139	105	139	139	183	
	B	157	157	175	175	279	279	
	C	81	81	81	81	102	102	
	D	107	107	107	107	138	138	




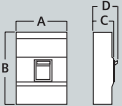
<sup>1)</sup> For information about 1 and 2 pole MCCB, please contact our sales office

<sup>2)</sup> Applicable to Thermalmagnetic MCCBs only.

<sup>3)</sup> For ETU10/ETU12/ETU20/ETU22

<sup>4)</sup> For ETU42

\* upto 400A for 4P & upto 250A for 3P

							
Type		VL630	VL800	VL1250 / VL1600			
<b>Electrical Characteristics as per IS 13947-2, IEC 60 947-2 and EN 60 947-2</b>							
Max Rated Current $I_n$ at 50°C ambient temperature,	A	630	800	1250/1600			
Number of Poles <sup>1)</sup>		3   4	3   4	3   4			
Rated operational Voltage $U_e$	AC 50/60 Hz	690	690	690			
	DC <sup>2)</sup>	600   600	—   —	—   —			
Rated insulation voltage $U_i$	V	800	800	800			
Rated impulse withstand voltage $U_{imp}$	Main conducting paths	8	8	8			
	Auxiliary Circuits	4	4	4			
Switching capacity $I_{cu}/I_{cs}$ at 415 V AC	Standard	45/45	50/50	50/25			
	High	70/70	70/70	70/35			
	Very High	100/75	100/75	100/50			
Switching capacity upto 600 V DC (3 paths in series)	Standard (upto 250 V DC)	32kA	—	—			
	High (upto 500 V DC)	32kA	—	—			
	Very High (upto 600 V DC)	32kA	—	—			
Suitable for isolation		✓	✓	✓			
Mechanical endurance	operating cycles	10000	10000	3000			
Max. switching frequency	1/h	60	60	30			
<b>Overcurrent Release</b>							
Thermomagnetic trip unit	TM	✓	—	—			
Microprocessor based electronic trip unit	ETU	✓	✓	✓			
PROFIBUS / MODBUS module	COM 20/21 <sup>3)</sup>	✓	✓	✓			
	COM 10/11 <sup>4)</sup>	✓	✓	✓			
SIMOCODE		✓	✓	✓			
Microprocessor based electronic trip unit		✓	✓	✓			
Residual current device	RCD*	—	—	—			
<b>Internal Accessories</b>							
Undervoltage release		✓	✓	✓			
Shunt release		✓	✓	✓			
Auxiliary switch		✓	✓	✓			
Alarm switch		✓	✓	✓			
<b>External Accessories</b>							
Rotary drive, extended		✓	✓	✓			
Special drive, direct		✓	✓	✓			
Motorised drive		✓	✓	✓			
Plug-in		✓	—	—			
Drawout		✓	✓	✓			
<b>Dimensions (in mm)</b>							
	A	190	253	190	253	229	305
	B	279	279	406	406	406	406
	C	102	102	114	114	152	152
	D	138	138	151	151	207	207

<sup>1)</sup> For information about 1 and 2 pole MCCB, please contact our sales office

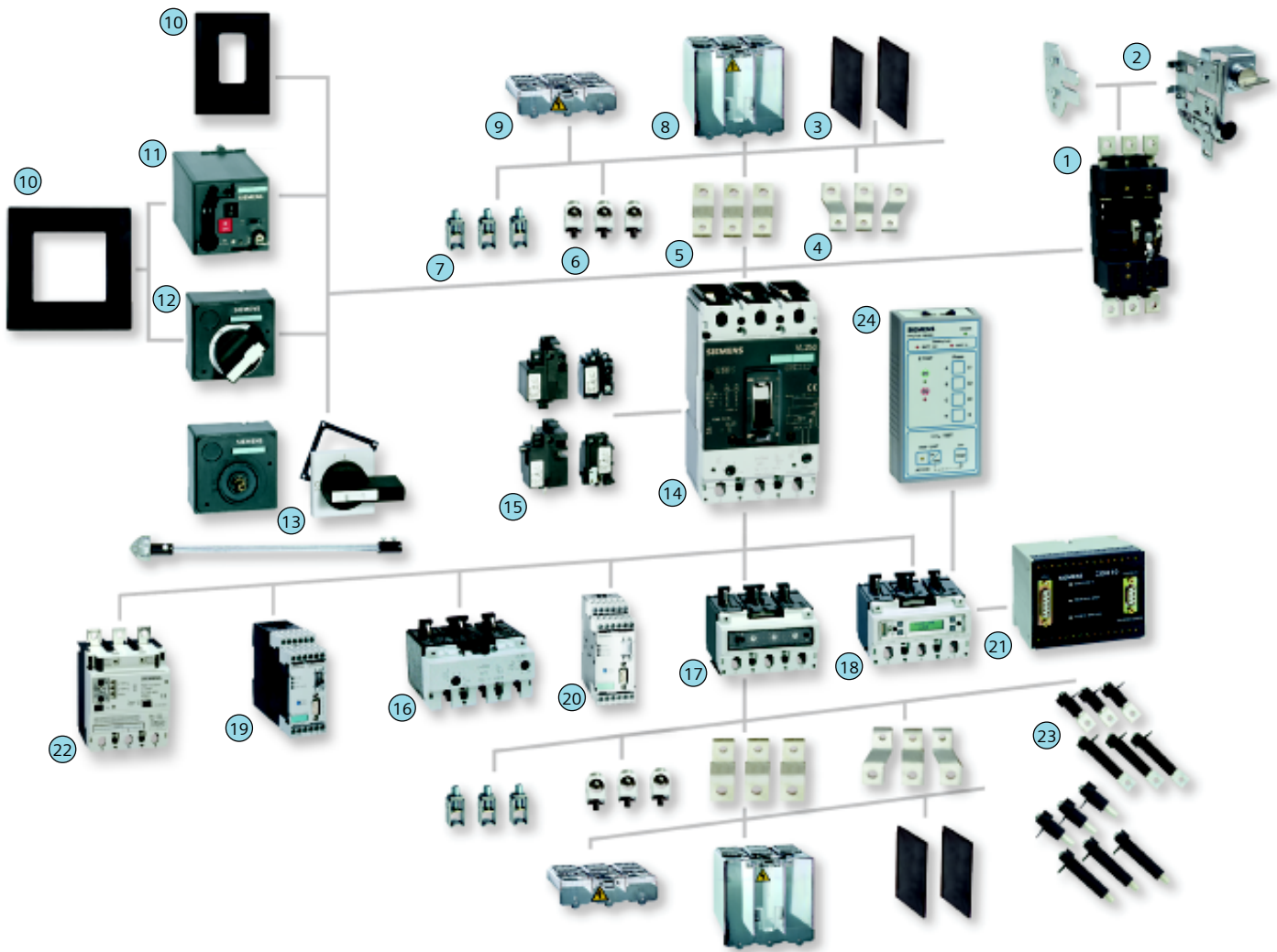
<sup>2)</sup> Applicable to Thermalmagnetic MCCBs only.

<sup>3)</sup> For ETU10/ETU12/ETU20/ETU22

<sup>4)</sup> For ETU42

\* upto 400A for 4P & upto 250A for 3P

# SENTRON 3VL MCCB range



- ① Withdrawable/plug-in base
- ② Withdrawable side parts
- ③ Phase barriers
- ④ Spread links
- ⑤ Straight connecting bars (extension links)
- ⑥ Multiple feed-in terminal
- ⑦ Box terminal
- ⑧ Extended terminal cover
- ⑨ Standard terminal cover
- ⑩ Cover frame for door cutout
- ⑪ Motorized drive (stored energy operator)
- ⑫ Rotary drive direct type
- ⑬ Rotary drive extended type
- ⑭ SENTRON 3VL circuit breaker
- ⑮ Internal accessories
- ⑯ Thermal-magnetic trip unit
- ⑰ Microprocessor based ETU
- ⑱ Microprocessor based ETU with LCD display
- ⑲ Simocode Pro
- ⑳ COM20/21 communication module for PROFIBUS / MODBUS
- ㉑ COM10/11 communication module for PROFIBUS / MODBUS
- ㉒ RCD module
- ㉓ Rear connection, flat and round
- ㉔ Manual tester for microprocessor based ETU



# Internal Accessories

Only two groups of internal accessories cover the entire product range.

## Family I



VL160X



VL160

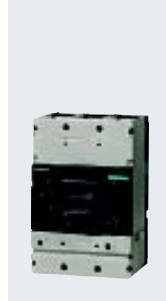


VL250



VL400

## Family II



VL630



VL800



VL1250



VL1600

### Undervoltage Release

If there is no voltage present, closing of the circuit breaker is not possible. If voltage is not applied to the releases, operation of the circuit breaker will result in no-load switching.

All undervoltage releases are designed and tested so that they meet all applicable requirements in accordance with IEC 60947 (drop-out voltage 0.70 to 0.35  $U_e$ , response voltage 0.85 to 1.10  $U_e$ ).

### Shunt Release

The shunt release is used for remote tripping of the circuit breaker.

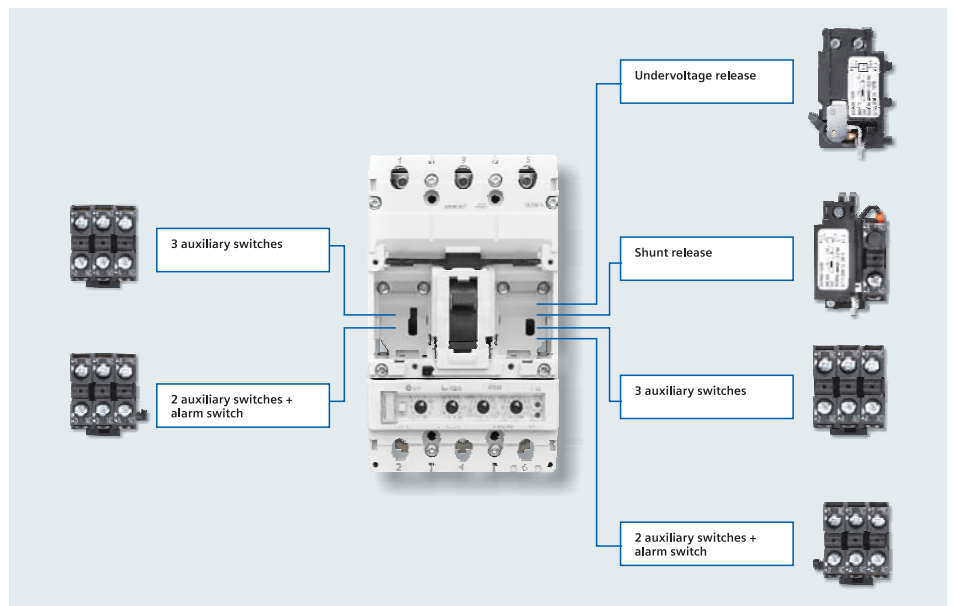
These devices operate according to IEC 60947 (tripping voltage 0.70 to 1.10  $U_e$ ).

### Auxiliary Switch

Auxiliary switches are used for indication and control. The contacts of the auxiliary switch close and open together with the main contacts.

### Alarm Switch

The alarm switches (AS) are activated when the circuit breaker has been tripped due to an overcurrent e. g. overload or short-circuit. However, they are also activated if the circuit breaker has been tripped by a shunt release or undervoltage release



# External Accessories

## Rotary Operating Mechanism

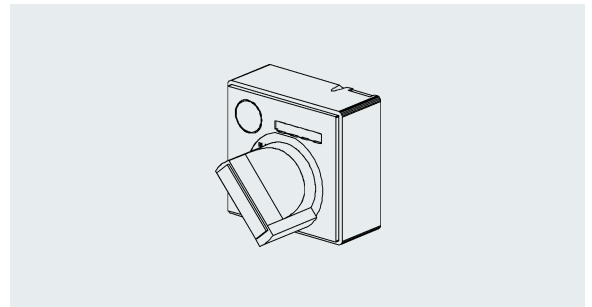
### Front-operated rotary operating mechanisms

These operating mechanisms have been designed for direct mounting to the circuit breaker and change the toggle lever movement from a linear to a rotary motion.

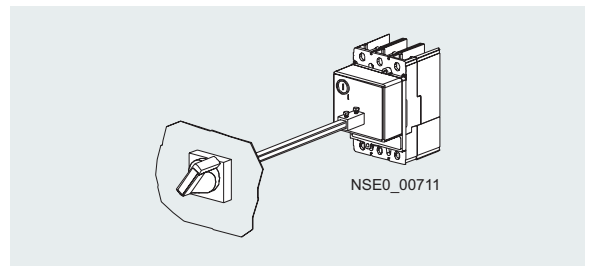
### Extended type / Door-coupling rotary operating mechanisms (complete operating mechanisms)

Extended type / Door-coupling rotary operating mechanisms and removable covers are available for circuit breakers which are installed into control cabinets and distribution boards. These are supplied as complete assembly kits, including an articulated-shaft mechanism.

With regard to the switching status indication and the "RESET" position, the same applies to the rotary operating mechanisms as to the toggle lever. The position of the operator lever (knob) indicates the status.



Front-operated rotary operating mechanisms



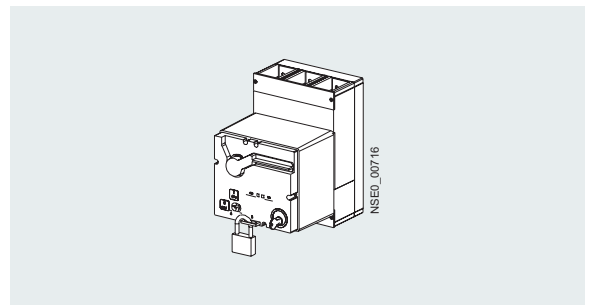
Extended type rotary operating mechanisms

## Motorized Operating Mechanism

The SENTRON VL160X to VL1600 circuit breakers (sizes 160 to 1600 A) can be equipped with motorized operating mechanisms for remote opening and closing during operation.

For SENTRON VL160X circuit breaker, there is motorized operating mechanism without a stored-energy feature for remote controlled ON and OFF switching.

All motorized operating mechanisms are always supplied with a locking device for padlocks. Optional safety locks are also available for motorized operating mechanisms with stored-energy feature.



Motorized Operating Mechanism

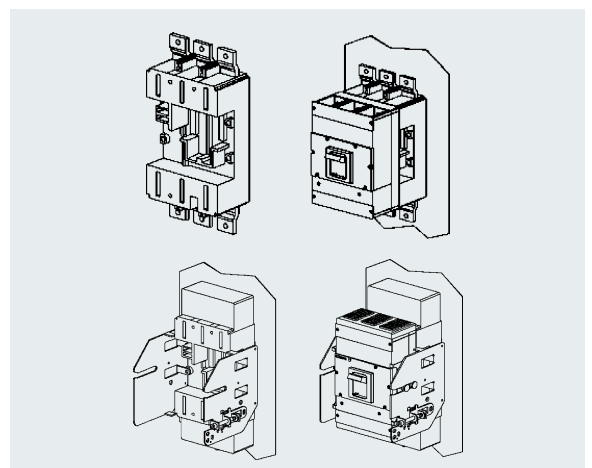
## RCD (Residual Current Device)

- Residual current 0.03 to 3.0A
- Delay 0.06 to 1.0 sec
- 16 to 400A \*
- Can be used only for TM trip units, starter, disconnecting switch
- Level of fault current displayed by LED
- Incoming supply from top or bottom
- Remote OFF (starting with VL160), corresponds to function of shunt trip
- Suitable for pulsating DC current



## Plug-in / Withdrawable Version

The fixed-mounted circuit breaker is the basic version. This can be converted very easily into a plug-in or withdrawable version with the aid of the appropriate assembly kit.



\* 4Pole version upto 400A  
3Pole version upto 250A

# Communication unlimited

Whether in commercial buildings or in production plants – often, it is decisive to know everything that is happening in the power distribution system in just seconds.

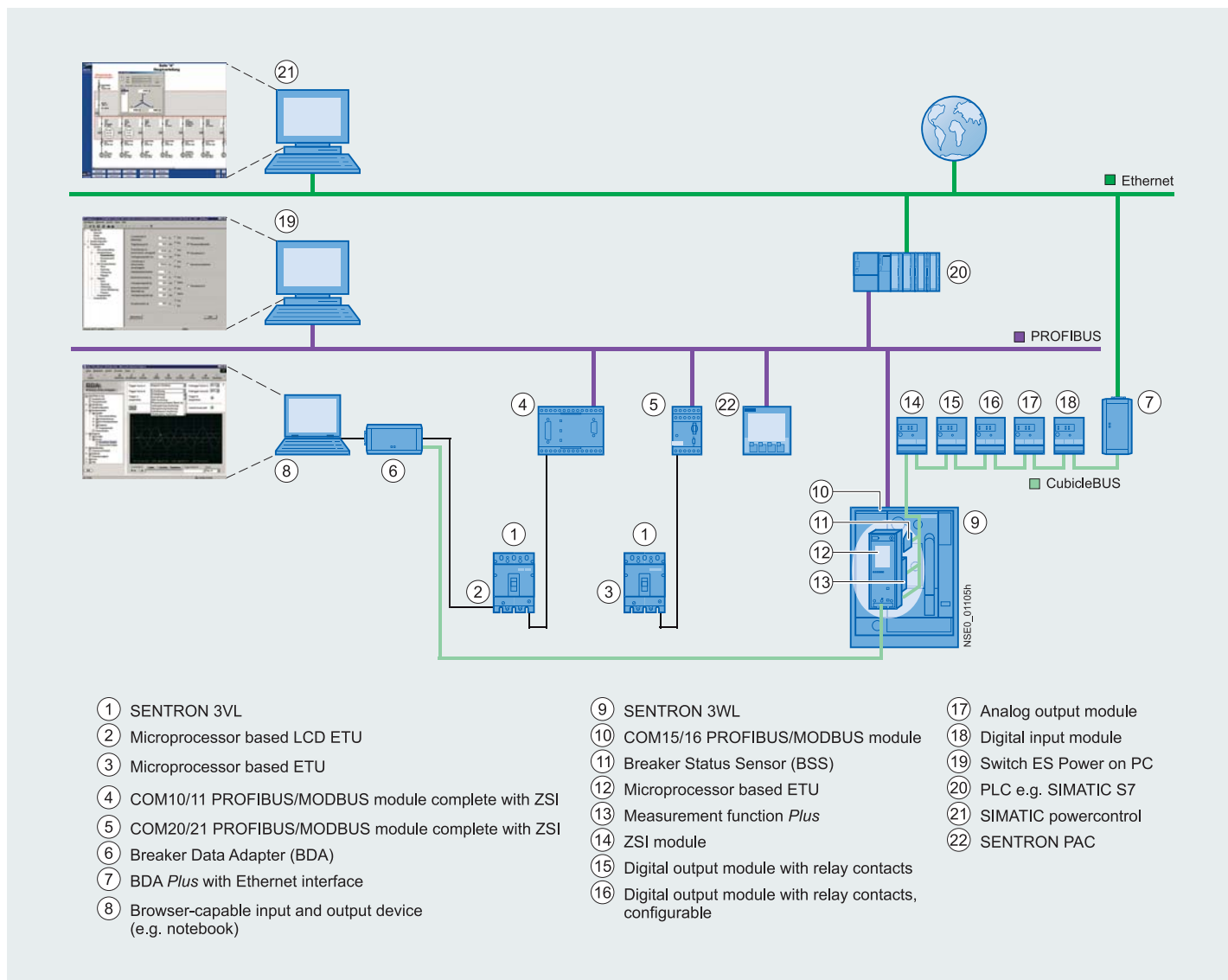
The use of modern communication-capable circuit breakers opens up completely new possibilities in terms of start-up, parameterization, diagnostics, maintenance and operation. This allows many different ways of reducing costs and improving productivity in industrial plants, buildings and infrastructure projects to be achieved:

- Fast and reliable parameterization
- Timely information and response can prevent plant stoppages
- Effective diagnostics management

Measured values are the basis for efficient load management, for drawing up power demand profiles and for assigning power to cost centers.

Sentron 3VL has all of the functionality to provide you with this capability. It is suitable for communication applications via PROFIBUS and MODBUS.

## System architecture of the SENTRON circuit breakers



# Communication unlimited

## Multiple communication option

- 3VL ETU42 with LCD display MCCBs with COM10 for PROFIBUS and COM11 for MODBUS
- 3VL ETU10/12/20/22 MCCBs with COM20 for PROFIBUS and COM21 for MODBUS
- 3VL Thermal Magnetic MCCBs with SIMOCODE Pro

	Data transmission through COM10/11	Data transmission through COM20/21	Data transmission through SIMOCODE Pro
<b>Transmittable data</b>			
<b>Commands</b>			
Switch ON/OFF	✓	✓	✓
Alarm and tripping memory, min./max. measured values and maintenance information	✓	✓	–
<b>Operating status</b>			
ON or OFF status trip position	✓	✓	✓
<b>Event signals</b>			
Tripped signals with tripping current	✓	✓	–
Alarm signals (e. g. overload)	✓	✓	✓
Threshold value warning (e. g. phase currents)	✓	✓	–
<b>Measured values</b>			
Phase currents and neutral conductor current	✓	✓	✓
Voltages, power	–	–	✓
<b>Parameter values</b>			
Read and write	✓	✓	–
Set values for SIMOCODE Pro	–	–	✓
<b>Maintenance Information</b> (e.g. number of tripping operations, number of switching operations)			
	✓	✓	–
<b>Device Identification data</b>			
	✓	✓	–
<b>Time synchronization</b>			
	✓	✓	–



COM10/11



COM20/21



SIMOCODE Pro

# Communication unlimited

## New concept

### Communication with COM20 and COM21 modules

The new COM20/21 modules also offer efficient and reliable system operation. All ETU versions with COM20 / 21 are able to consistently communicate via PROFIBUS/MODBUS. Whether switch state, tripping cause, warning messages, current measuring, event log, switching cycles or device control. The cost- and function-optimized COM20/21 modules reliably transmit all important information to ensure the maximum transparency of your system's state at all times.

### Advantages of the new COM20/21 Modules :

- Improved efficiency and cost savings
- Universal applicability – integrated communication is even supported by the most cost-favorable ETU
- Easier installation through optimized ETU connection
- Maximum flexibility through smaller design for optimized control cabinet space
- Particularly uncomplicated through elimination of auxiliary and alarm switch wiring to the communication module

## Power Management with SENTRON

### Highlights -

- Control (ON/OFF) from PLC/DCS/BMS through PROFIBUS/MODBUS
- Transmission of device status (ON, OFF & Trip)
- Monitoring of measured values (Current, Voltage, Power, Energy etc from PLC/DCS/BMS)

### Benefits -

- Efficient energy management
- Faster communication
- High efficiency
- High accuracy
- Simple configuration and easy installation
- Easier fault diagnosis

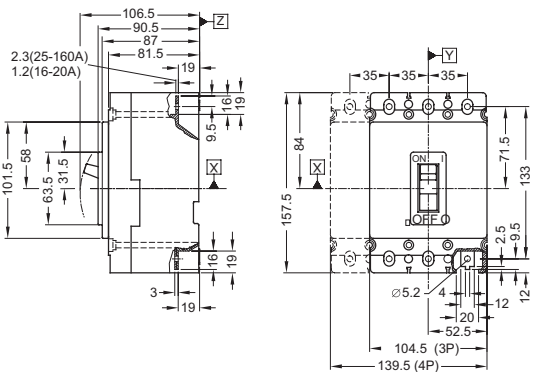




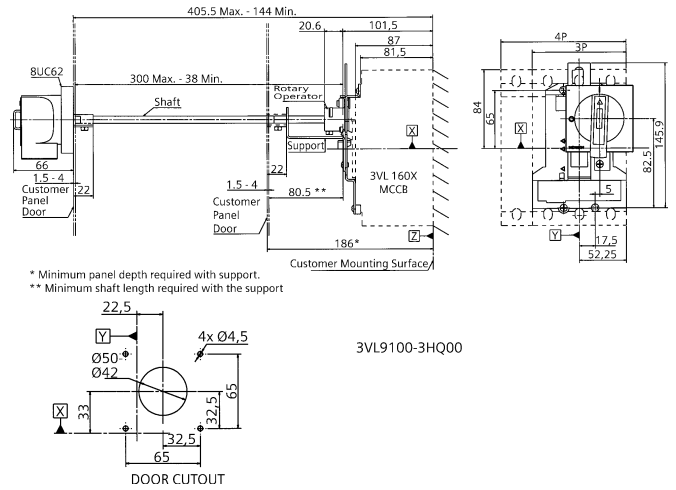
# Dimensions

## 3VL 160X 3P/4P

Fixed version



MCCB with extended type rotary handle



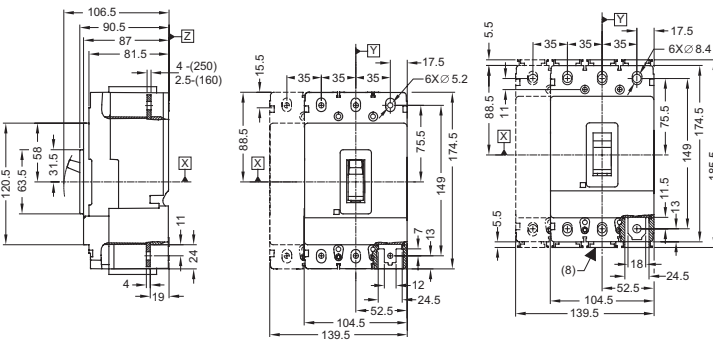
## 3VL160 / 250 3P/4P

Fixed version

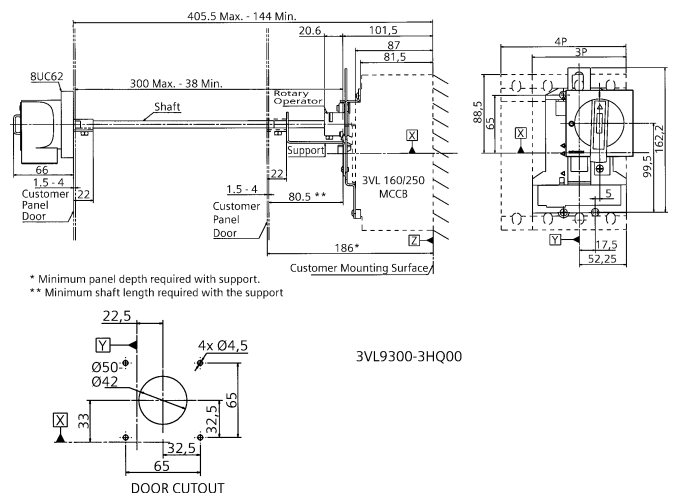
3VL160/250

3VL160

3VL250

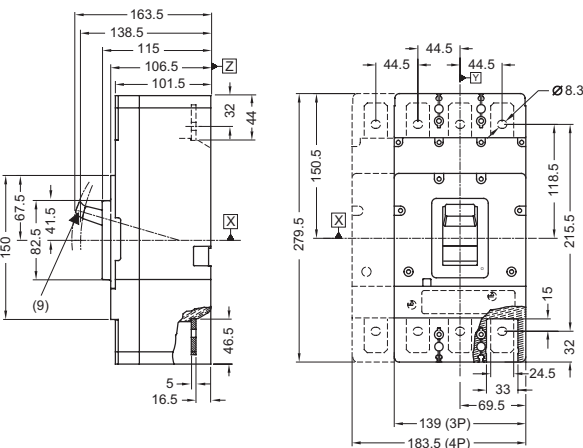


MCCB with extended type rotary handle

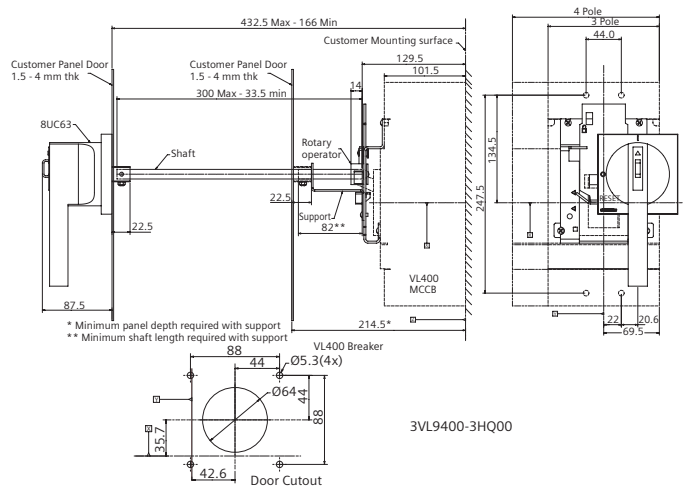


## 3VL400 3P/4P

Fixed version



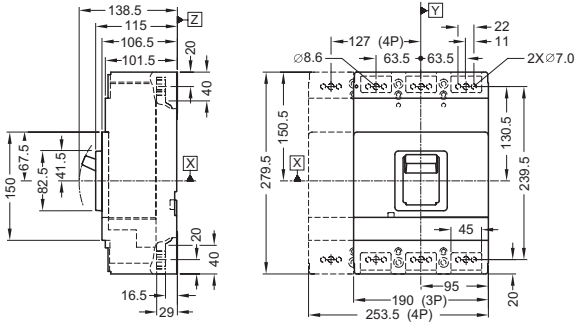
MCCB with extended type rotary handle



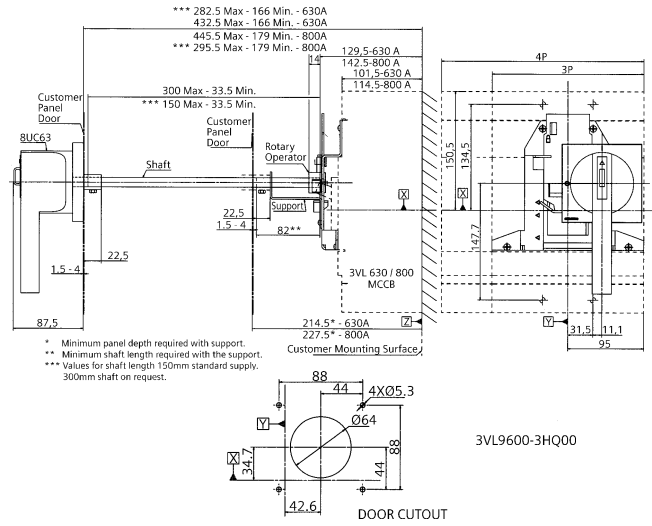
# Dimensions

## 3VL 630 3P/4P

Fixed version

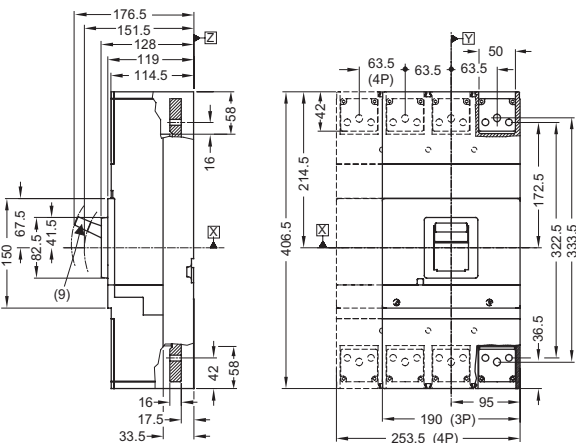


MCCB with extended type rotary handle

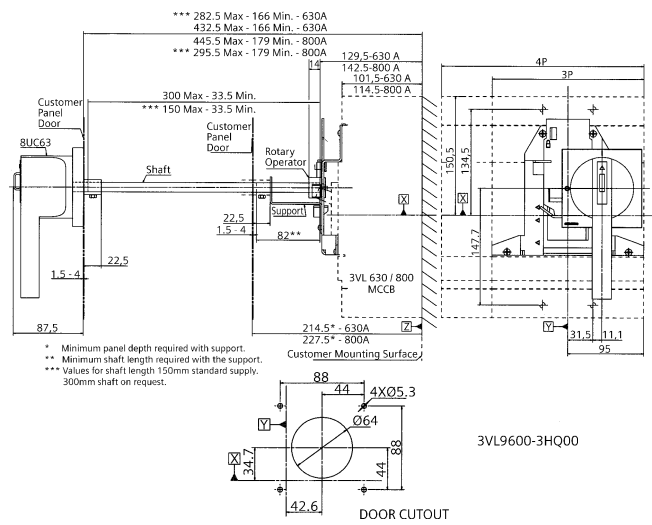


## 3VL800 3P/4P

Fixed version

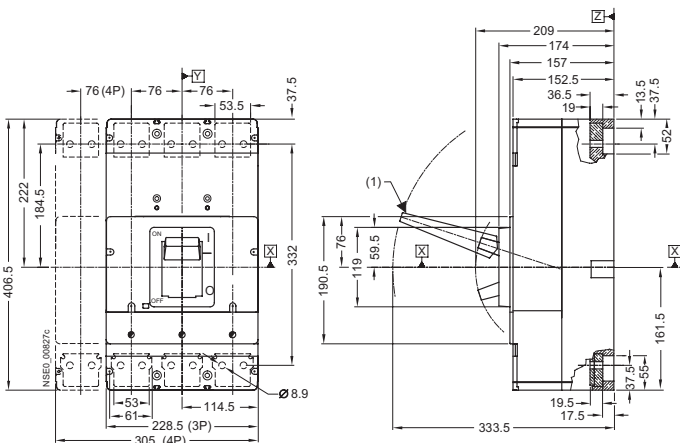


MCCB with extended type rotary handle

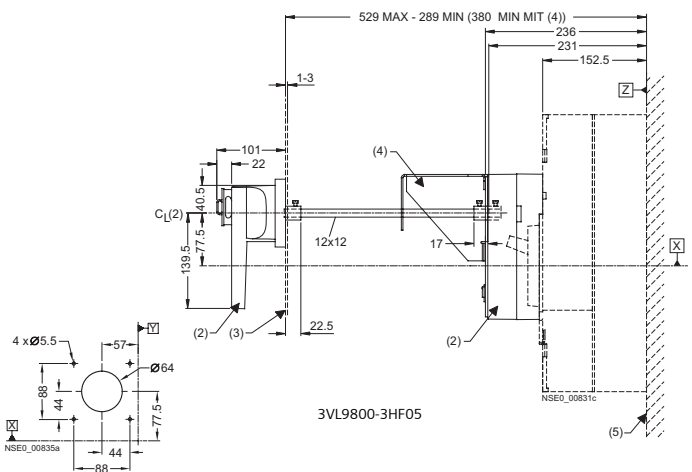


## 3VL 1250 / 1600 3P/4P

Fixed version



MCCB with extended type rotary handle



# Your partners

## Sales offices:

### Ahmedabad

3rd Floor, Prerna Arbour  
Girish Cold Drinks Cross Roads, Off. C. G. Road  
Ahmedabad - 380009  
☎ : +91 79 40207600  
Fax: +91 79 40207699

### Bangalore

1st Floor, Jyothimahal, #49, St. Marks Road  
Bangalore - 560001  
☎ : +91 80 22042000  
Fax: +91 80 22224131

### Chandigarh

SCO 189 - 191, 3rd Floor, Sector 17C  
Chandigarh - 160017  
☎ : +91 172 4690300  
Fax: +91 172 4690399

## Territory managers :

### Aurangabad

A9, Yogeshwari Vrundavan  
Nr. Malhar Chowk, Garkheda Parisar, Prema Nagar  
Aurangabad - 431210, Maharashtra  
Mobile: +91 9766316446  
E-mail: santosh.rajhans@siemens.com

### Bareilly

Bareilly - 243001, Uttar Pradesh  
Mobile: +91 9415012500  
E-mail: saket.dwivedi@siemens.com  
Mobile: +91 9897070133  
E-mail: naveen.khare@siemens.com

### Baroda

1st Floor, Vaniiya Bhavan, Race Course Road  
Baroda - 390007, Gujarat  
☎ : +91 265 2325810/12, 6692110  
Mobile: +91 9825506963  
E-mail: ankur.chokshi@siemens.com

### Belgaum

H.No.713, Narvekar Lane, Shahpur  
Belgaum - 590003, Karnataka  
☎ & Fax: +91 831 2495156  
Mobile: +91 9740277991  
E-mail: anand.gawade@siemens.com

### Bhilai

C/o Mr. S.H Siddiqui  
Sector-1, Street-9, Quarter No 1A  
Bhilai - 490001, Chhattisgarh  
Mobile: +91 9826127525  
E-mail: sandeep.barde@siemens.com

### Bhubaneswar

109, Harapriya Apartment, Vivekananda Marg  
Bhubaneswar - 751002, Orissa  
☎ : +91 674 2430734  
Mobile: +91 9937009749  
E-mail: anirban.aditya@siemens.com  
Mobile: +91 9937097504  
E-mail: sumit.sengupta@siemens.com

### Calicut

Dist : Kozhikode, Calicut - 673001, Kerala  
Mobile: +91 9895052944  
E-mail: sreekanth.p@siemens.com

### Cochin

KG Oxford Busienss Centre  
39/4609, Third Floor, SreekanthRoad, Ravipuram  
Cochin - 682016, Kerala  
☎ : +91 484 4028611, 22  
Fax: +91 484 2380201  
Mobile: +91 9744511109  
E-mail: sajeen.s@siemens.com

### Deharadun

122, Vihar Lane No 1, Ajabpur Kalan  
Deharadun - 248001, Uttaranchal  
Mobile: +91 9760033117  
E-mail: manish.bajpai@siemens.com

### Durgapur

4/6, Matangini Hazra Bithi, Ground Floor, City center  
Durgapur - 713216, West Bengal  
☎ : +91 343 2605286  
Mobile: +91 9830185007  
E-mail: sourav.paul@siemens.com

### Chennai

4, Mahatma Gandhi Road, Chennai - 600034  
☎ : +91 44 28334000  
Fax: +91 44 28334088

### Coimbatore

7th Floor, East Wing, Global Towers  
1057, Avinashi Road, Coimbatore - 641018  
☎ : +91 422 4336300  
Fax: +91 422 4336310

### Hyderabad

5-9-19, Lakshmi Narsinh Estate, 4th Floor  
Secretariat Road, Opp. Secretariat, Saifabad  
Hyderabad - 500004  
☎ : +91 40 23482500  
Fax: +91 40 23243145

### Faridabad

House No 237, Sector-B  
Faridabad - 121006, Haryana  
Mobile: +91 987396350  
E-mail: ramit.mehra@siemens.com

### Gurgaon

117-C, First Floor, Sector-30, Behind Jalvayu Vihar  
Gurgaon - 122001, Haryana  
Mobile: +91 9971091588  
E-mail: siemens.ggn@gmail.com

### Guwahati

G1, Hill View Apartment, Navagraha Path  
Chenikuthi Hill Side, Guwahati - 781003, Assam  
☎ : +91 361 2663988  
Mobile: +91 9864037562  
E-mail: sourav.bhattacharya@siemens.com  
Mobile: +91 9864110684  
E-mail: biplab.datta@siemens.com

### Hardwar

758, 1st Floor, Model Colony, Awas Vikas, Jwalapur  
Hardwar - 249407, Uttarakhand  
Mobile: +91 9897070133  
Fax: +91 1334 265491  
E-mail: naveen.khare@siemens.com

### Indore

Indore - 452001, Madhya Pradesh  
Mobile: +91 9823011883  
E-mail: vineet.saxena@siemens.com

### Jaipur

6, Park Street, Opp Pink City Petrol Pump, M.L.Road  
Jaipur - 302006, Rajasthan  
☎ : +91 141 2370274 / 2377956  
Fax: +91 141 2370482  
Mobile: +91 9829244313  
E-mail: peeyush.gupta@siemens.com

### Jalandar

H.No 448R, First Floor, Pushpa Niwas  
Near Geeta Mandir, Model Town  
Jalandar - 144001, Punjab  
Mobile: +91 9779194445  
E-mail: sunil.singla@siemens.com

### Jamshedpur

823, Udaigiri, Vijaya Heritage, Uliyan, Kadma  
Jamshedpur - 831005, Jharkhand  
☎ : +91 657 6451637  
Mobile: +91 9934311352  
E-mail: shaibal.parial@siemens.com

### Jodhpur

371, Gauri House, Kamala Nehru Nagar  
Near SBI Bank, Jodhpur - 342008, Rajasthan  
Mobile: +91 9828327200  
E-mail: naveen.sahariya@siemens.com

### Kanpur

106, Agarwal Aparment  
Near Hari Har Dham Mandir, Shyam Nagar  
Kanpur - 208013, Uttar Pradesh  
☎ & Fax: +91 512 2423348  
Mobile: +91 9839102434  
E-mail: atul.shukla@siemens.com

### Kolkata

43 Shanti Palli, R B Connector  
Eastern Metropolitan Bypass, Kolkata - 700042  
☎ : +91 33 24449000, 24428641-47  
Fax: +91 33 24449010 / 13

### Lucknow

28/45, Ashok Marg, Opposite Indira Bhawan  
Lucknow - 226001  
☎ : +91 522 4031022, 4031000  
Fax: +91 522 4031019

### Mumbai

130, Pandurang Budhkar Marg, Worli  
Mumbai - 400018  
☎ : +91 22 24987000-02  
Fax: +91 22 24987312

### Kolhapur

Sursati Mahabharat Apt., Flat No. 101, 1st Floor  
C.S. NO. 250B / 22, Nr.Mahavir Garden to College  
Main Road, Kolhapur - 416003, Maharashtra  
☎ : +91 231 2663330  
Mobile: +91 9881465421  
E-mail: sachin.chavan@siemens.com

### Kota

48, Model Town, Khedli Phatak  
Kota - 324002, Rajasthan  
Mobile: +91 9784842605  
E-mail: ajit.parashar@siemens.com

### Ludhiana

H.No 3746, First Floor, Sector 32-A  
Chandigarh Road, Ludhiana - 141010, Punjab  
Mobile: +91 9872317702  
E-mail: rajeev.kapoor@siemens.com

### Ludhiana

H.No 92, Lajpat Nagar, Near Bus Stand  
Ludhiana - 141010, Punjab  
☎ : +91 161 2770574  
Mobile: +91 9815502480  
E-mail: rohit.jagga@siemens.com

### Madurai

8/12, Ground Floor, Sakhti Vellammal Street  
SS Colony, Madurai - 625010, Tamilnadu  
Mobile: +91 9894617780  
E-mail: mahendiran.murugan@siemens.com

### Nashik

Flat No 2, Shivam Park, Rajiv Nagar  
Rane Nagar, Nasik-Mumbai Highway  
Nashik - 422009, Maharashtra  
Mobile: +91 9822193204  
E-mail: kiran.vaideya@siemens.com

### Pondicherry

32, Second Floor, St. Theresa Street  
Pondicherry - 605001  
☎ : +91 413 4500101  
Mobile: +91 9840472727  
E-mail: elankumarak.pandian@siemens.com

### Raipur

Flat No.103, First Floor, Block B, Shilp Enclave  
Near LAS Colony, Shankar Nagar  
Raipur - 492007, Chhattisgarh  
Mobile: +91 9425057945  
E-mail: brajesh.rathor@siemens.com

### Rajkot

D-3 Aalap Century, University Road  
Rajkot - 360005, Gujarat  
Mobile: +91 9825506962  
E-mail: bhushan.sawant@siemens.com

### Ranchi

H-1/187, Harmu Housing Colony, Harmu  
Ranchi - 834002, Jharkhand  
Mobile: +91 9234610953  
E-mail: sourav.dasgupta@siemens.com

### Renukoot

Above LICICI Prudentail Office, Patel Nagar  
Murdhawa, Dist-Sonebhadra  
Renukoot - 231217, Uttar Pradesh  
Mobile: +91 9838007897  
E-mail: siemens\_upeast@sify.com

### Nagpur

5th Floor, Landmark Building, Ramdas Peth  
Nagpur - 440010  
☎ : +91 712 6633000  
Fax: +91 712 6633111

### New Delhi

4A, Ring Road, I.P. Estate, New Delhi - 110002  
☎ : +91 11 42995000-09  
Fax: +91 11 42995030

### Pune

Tower B / 701 - 705, ICC Trade Tower  
403A, Senapati Bapat Road, Pune - 411016  
☎ : +91 20 2570 6000  
Fax: +91 20 2570 6060

### Rourkela

T-15, Civil Town, Rourkela - 769004, Orissa  
☎ : +91 661 2400880  
Mobile: +91 9437041724  
E-mail: sanjoy.ganguly@siemens.com

### Salem

3/25 Santosh Nagar, PACB Backside  
Chinnathirupathi, Salem - 636008, Tamilnadu  
Mobile: +91 9894617772  
E-mail: rubengerald@siemens.com

### Sambalpur

Pradhan Para, Near Jamkani Mandir  
Beside LIC Div Off, Ainthapalli  
Sambalpur - 768004, Orissa  
☎ : +91 663 2541258  
Mobile: +91 9438529778  
E-mail: samir.chaintak@siemens.com

### Surat

59, Ground Floor, Shreejinagar Part-1  
Dhabholi Char Rasta, Ved Road, Katagram  
Surat - 395004, Gujarat  
Mobile: +91 9925001779  
E-mail: chandrakant.keshrani@siemens.com

### Tiruchirappali

T3, 3rd Floor, Vishranthi Daffodils Apartments  
Old Friends Eye Hospital, Puthur  
Tiruchirappali - 620017, Tamilnadu  
☎ & Fax: +91 431 4030390  
Mobile: +91 9444911221  
E-mail: akhilesh.nair@siemens.com

### Trivendrum

Sonuv, TC9/2082, 5, Thamarakulam Lane  
Sathamangalam, Trivendrum - 695010, Kerala  
Mobile: +91 9895979604  
E-mail: jonsa-82@yahoo.com

### Udaipur

303, Oasis Park, PP Singhal Marg, Ambavgarh  
Udaipur - 313001, Rajasthan  
☎ & Fax: +91 294 2430345  
Mobile: +91 9829039120  
E-mail: ankur.singh@siemens.com

### Vapi

Flat No. 302, Samrajya IV, Royal Residency  
Charwada Road, Vapi - 396195, Gujarat  
☎ : +91 260 6451156  
Mobile: +91 9825147957  
E-mail: siemens\_vapi@sancharnet.in

### Vijayawada

G-2, Shreya Tower, Moghalarajapuram  
Near Jammichettu Centre  
Vijayawada - 520010, Andhra Pradesh  
☎ : +91 866 6629933  
Mobile: +91 9866463639  
E-mail: santosh.p@siemens.com

### Visakhapatnam

84, Mount Moriah Residency, Waltair Uplands  
Visakhapatnam - 530003, Andhra Pradesh  
☎ : +91 891 2712535  
Mobile: +91 9849212555  
E-mail: siemensvaizag@rediffmail.com

Siemens Ltd.  
Industry Sector  
LV Control & Distribution Products  
Thane Belapur Road, Thane 400601  
Fax: +91 22 27623729  
E-mail: lvsgmrktg.india@siemens.com

[www.siemens.com/industry](http://www.siemens.com/industry)

Order No.: 102262281  
SGR-01-115-022  
(This replaces SGR-01-115-007)

Customer Care Toll free no. 1800 220 987  
Email: adscs.india@siemens.com

Product upgradation is a continuous process. Hence, data in this catalog is subject to change without prior notice. For the latest information, please get in touch with our Sales Offices.